

TECO

OUTLINE DIMENSIONS

MOTOR TYPE:
AMRCED-S

DATE

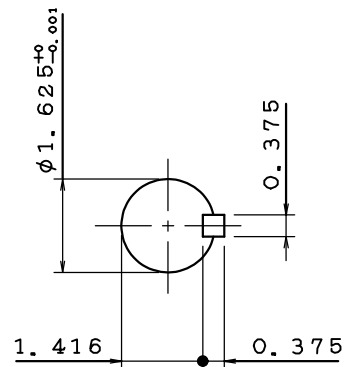
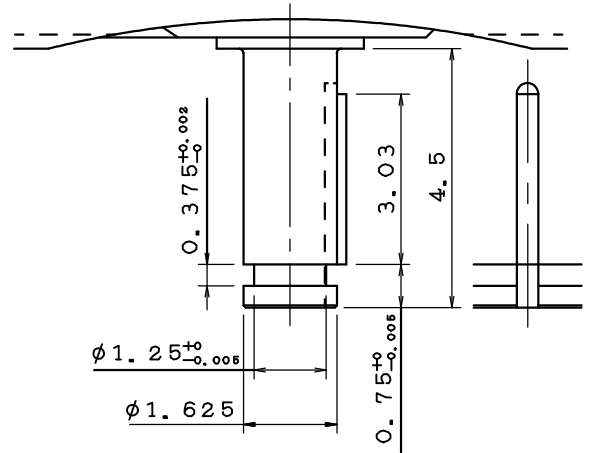
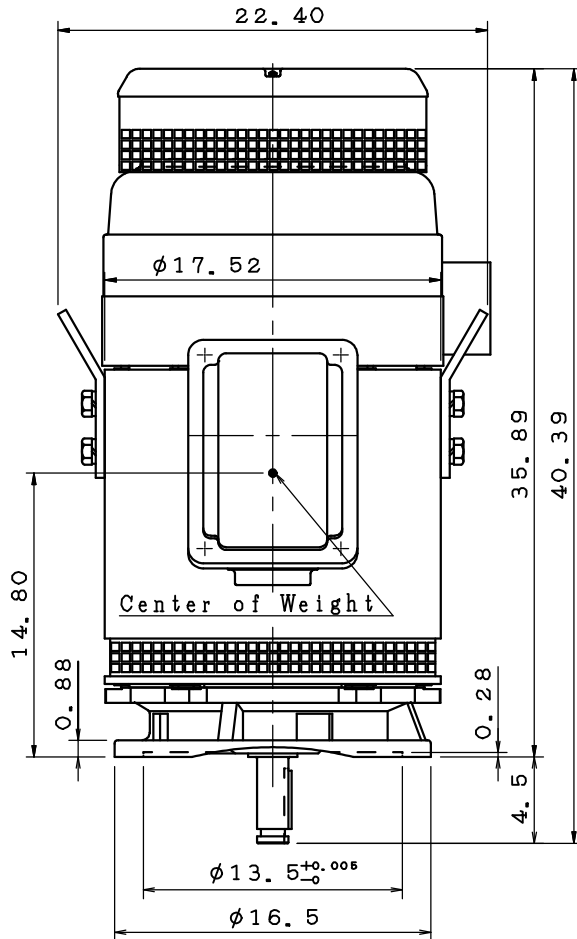
3-PHASE INDUCTION MOTOR

FRAME NO. 364VP

Pole	HP	kW	Hz	VOLT	r/min
4	60	—	60	—	1800

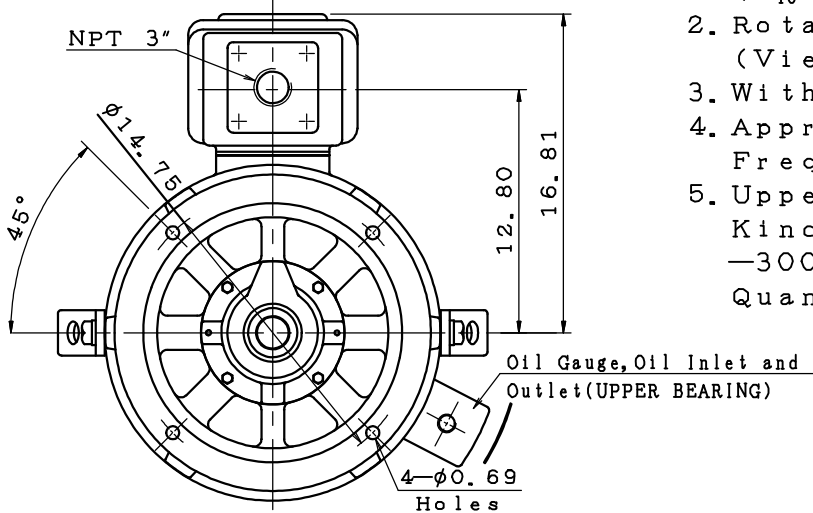
Ins	Rating	Dimension in	Approx Weight	Bearings
F	CONT.	inch		DE:6313C3 NDE:7222B

NEMA Weather Protected TYPE I (WP I). Squirrel-cage Rotor.



Note :

1. Downthrust: 6000 lbs (L₁₀: 8800 hrs.)
2. Rotation: C. C. W (View from Top)
3. Without N. R. R.
4. Approx Reed Frequencies: 72.1 Hz
5. Upper Bearing (Oil lube)
Kind of Oil: Turbine Oil
— 300SSU/100° F (ISO VG68)
Quantity: 0.53 Gallons.



TA18122A-00-00

◇		
---	--	--

DWG.	簡學民	10.03.18	<h2>東元電機股份有限公司</h2> <h3>TECO Electric & Machinery Co., Ltd.</h3> <p>TAIWAN</p>	DWG NO.	31057H810360
CHKD.	簡學民	10.04.18			
APPD.	徐聰豪	10.04.18			